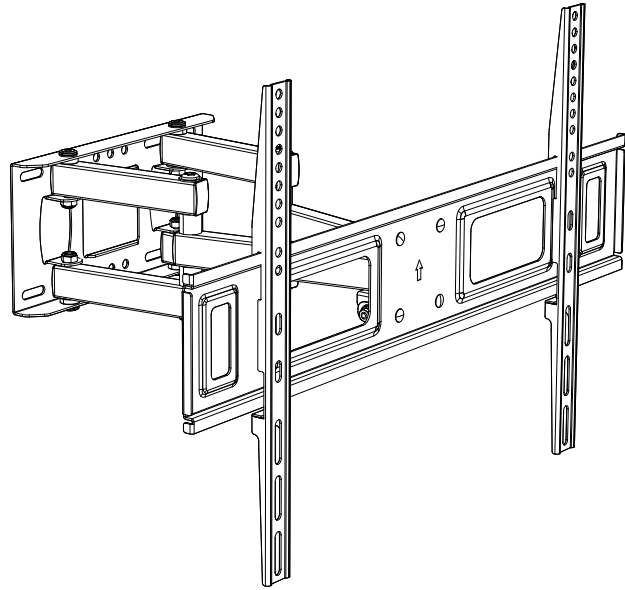


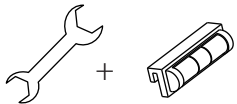
INSTALLATION INSTRUCTION

Model No: CT-WPLB-2302B

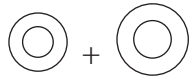


CAUTION: DO NOT EXCEED MAXIMUM LISTED WEIGHT CAPACITY. SERIOUS INJURY OR PROPERTY DAMAGE MAY OCCUR!

Parts List



(A) Wrench(1)+Bubble level(1) (B)M6x16 washers (4)



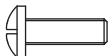
(C)M6x14 washers (4)
+M8x16 washers (4)



(D)M5x14 screws (4)



(E)M6x14 screws (4)



(F)M8x20 screws (4)



(G)M6x30 screws (4)



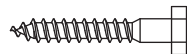
(H)M8x45 screws (4)



(I)15mm Plastic Sleeve (4)

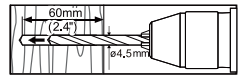
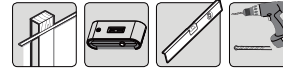


(J)10x50 Plastic Anchor (4)



(K)M6x60 Self-tap Screw (4)

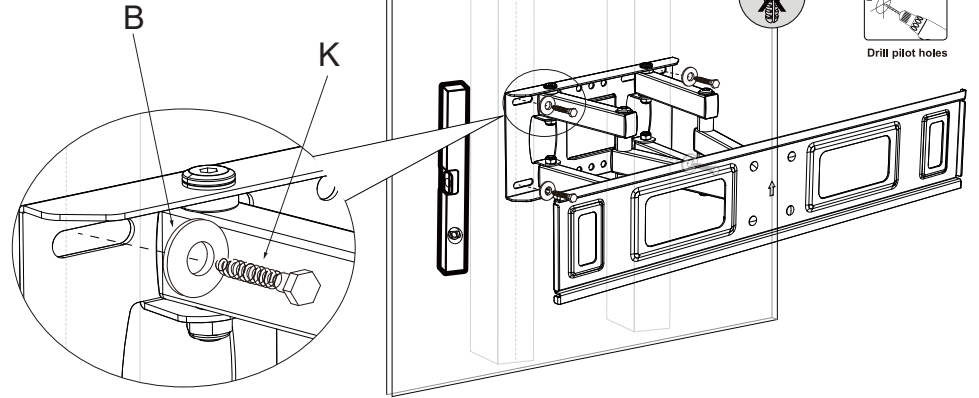
Step 1-a For Wood Stud Wall Mounting



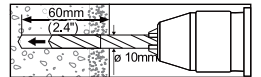
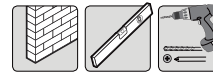
1 Find and mark the exact location of mounting holes



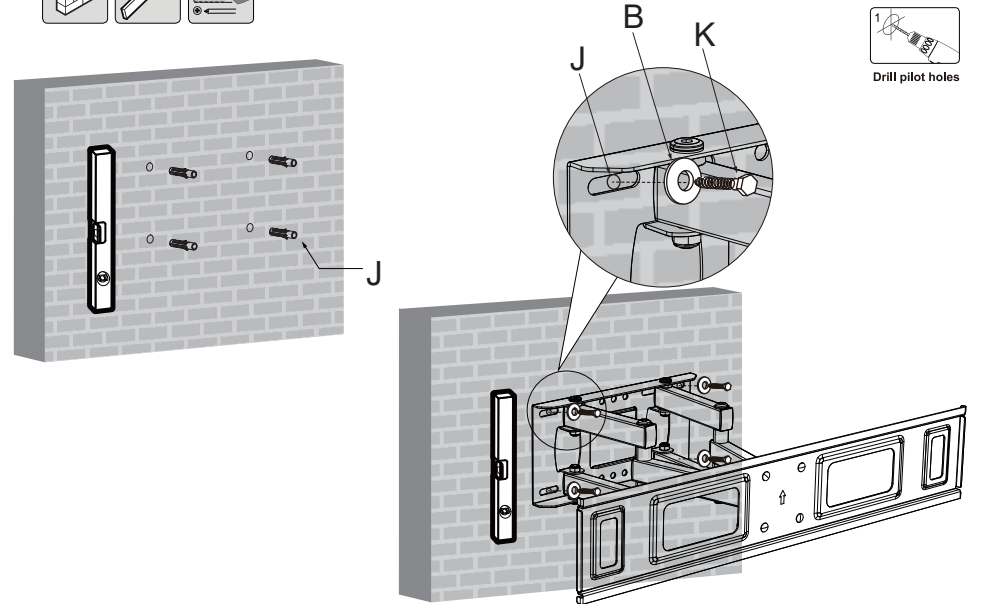
2 Drill pilot holes



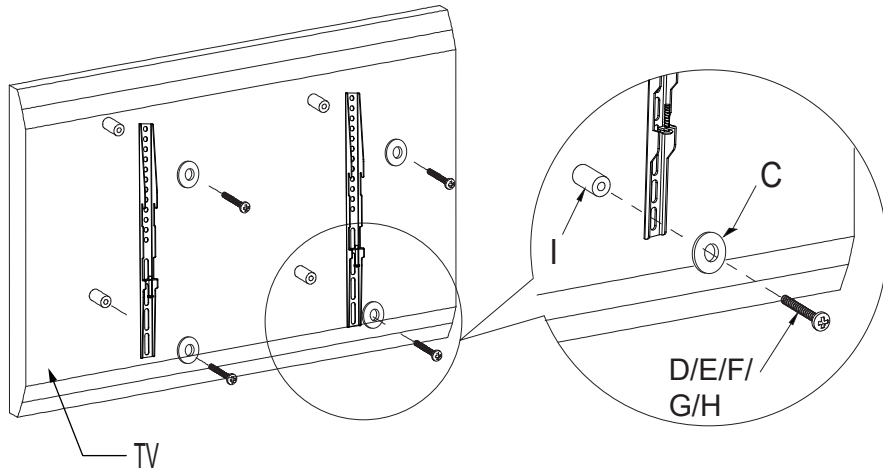
Step 1-b For Solid Brick and Concrete Mounting



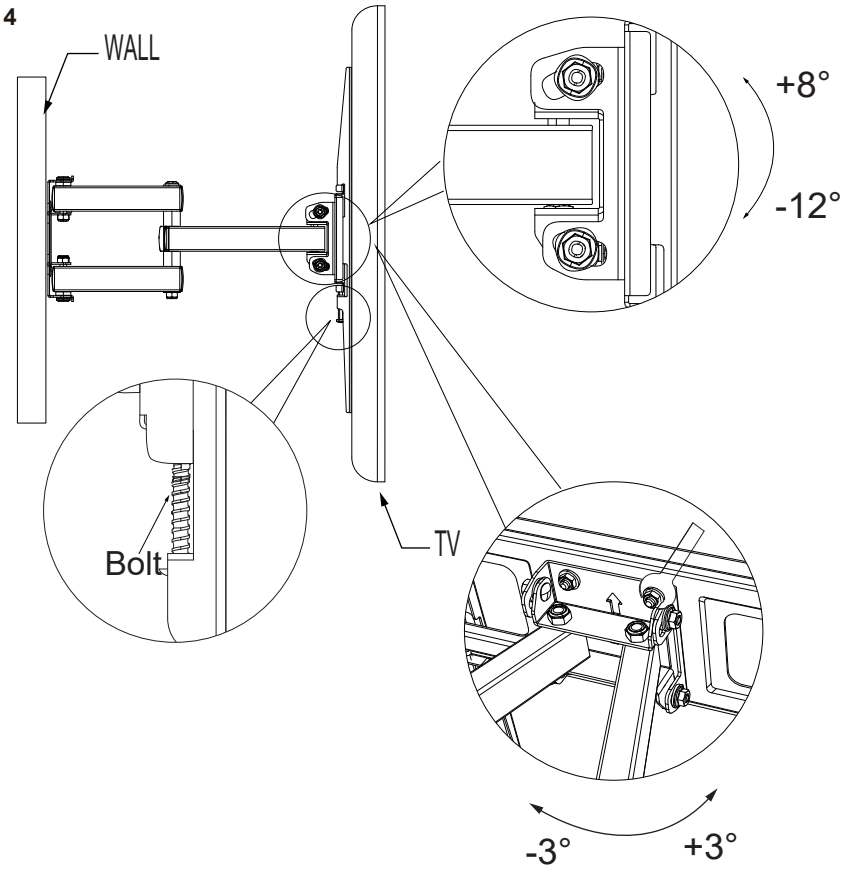
1 Drill pilot holes



Step 2 Installing the Display



Step 4



Step 3 Installing the Display

