






Radar-Assisted Dual-Sensor Smart Monitoring Camera

Quick Start Guide

Symbol Conventions

The symbols that may be found in this document are defined as follows.

Symbol	Description
 Note	Provides additional information to emphasize or supplement important points of the main text.
 Caution	Indicates a potentially hazardous situation, which if not avoided, could result in equipment damage, data loss, performance degradation, or unexpected results.
 Danger	Indicates a hazard with a high level of risk, which if not avoided, will result in death or serious injury.

Chapter 1 Cable Introduction

The radar-assisted dual-sensor smart monitoring camera (hereinafter referred to as the device) needs to be wired and installed correctly. Refer to the following picture and table for detailed cable and interface description.

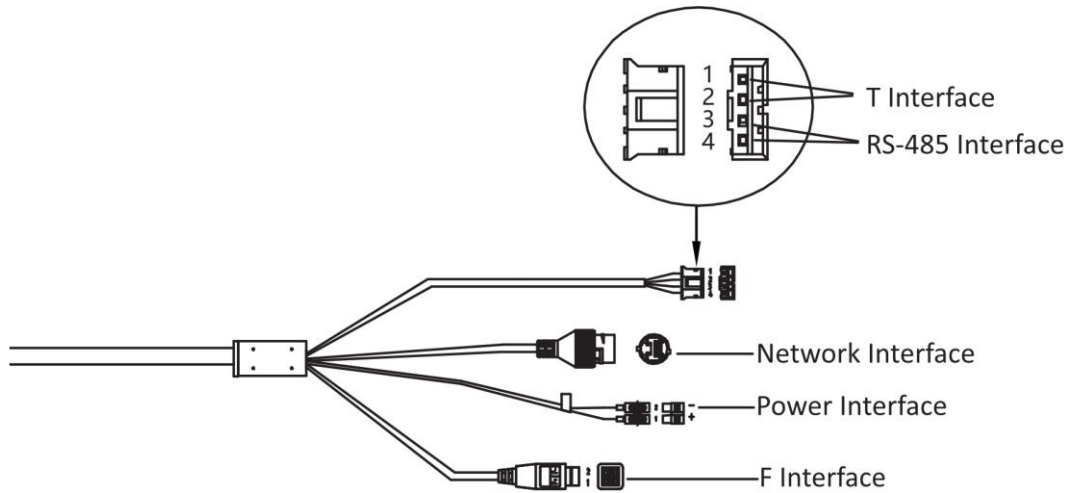


Figure 1-1 Cables and Interfaces

Table 1-1 Interface Description

Name	Description
RS-485 Interface	Reserved.
T Interface	For alarm input.
Network Interface	For network connection.
F Interface	For alarm output.
Power Interface	For connection with power cords to receive power supply.

Chapter 2 Device Installation

Please check if there is any damage of the package first. According to the packing list, make sure no item is lost. After checking all the items included, you can continue to install the device.

2.1 Lay Cables

Make sure all the cables involved such as the power cords and network cables are well laid out.



Please check the power supply voltage, to prevent any device damage caused by inconsistent voltage levels.

2.2 Install TF Card

Install the TF card according to the following steps.

Step 1 Open the card slot cover.

Step 2 Insert the TF card into the corresponding card slot.

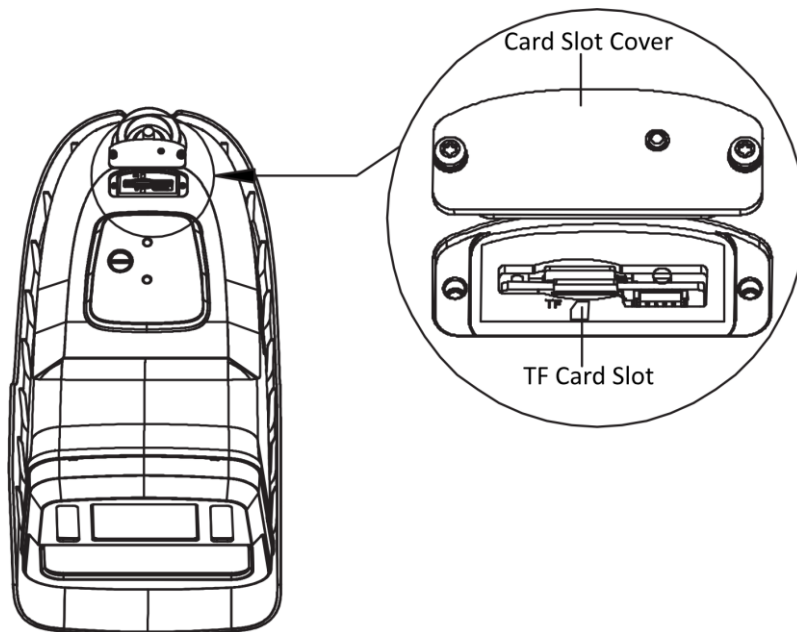


Figure 2-1 Insert TF Card

 **Note**

- The TF card should be prepared by yourself.
- To take out the card inserted, you need to press the card till the card pops out automatically, and then pull out the card.

2.3 Install Device

Install the device at the right site according to the following steps.

 **Caution**

Never place the equipment in an unstable location. The equipment may fall, causing serious personal injury or death. Install safety protection equipment if necessary. Check regularly.

Before you start

Make sure the power has been disconnected before you install the device.

Step 1 Unlock the hoops and surround the installation rail with the hoops locked tightly.

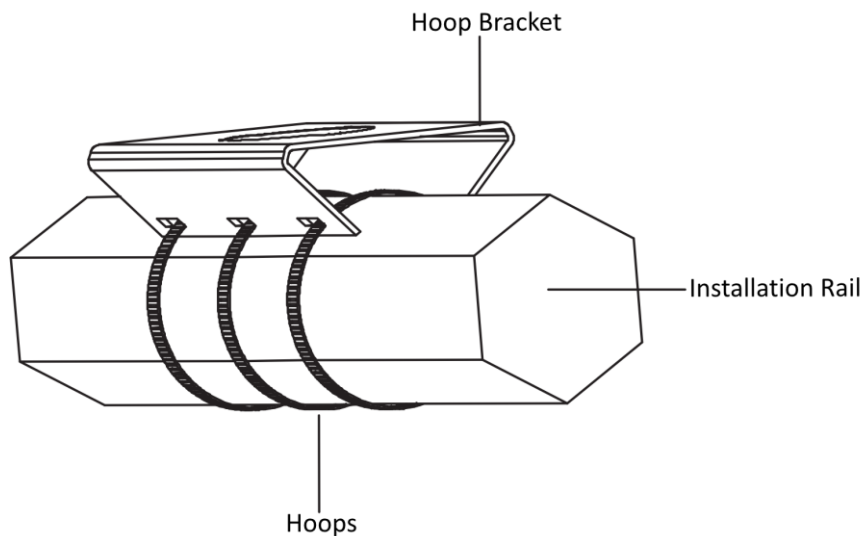


Figure 2-2 Install Hoops

Step 2 Align screw holes on Surface A of the universal joint with that of the device, and insert and tighten screws to connect the universal joint and the device.

Step 3 Install the watertight hose to the device.

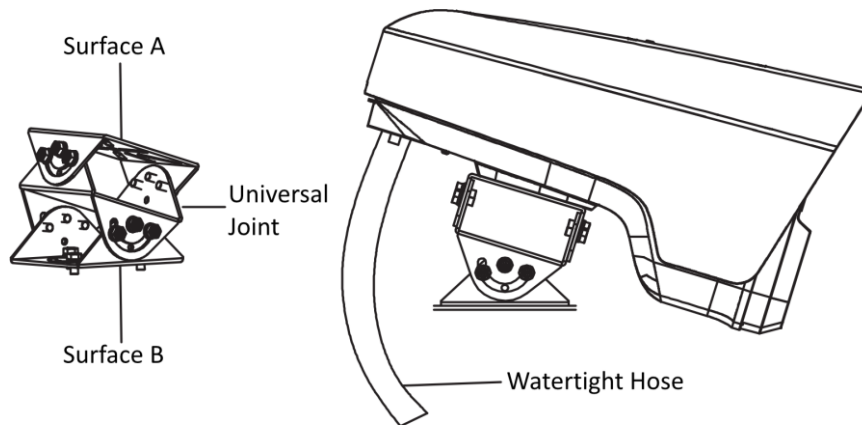


Figure 2-3 Install Universal Joint and Watertight Hose

Step 4 Align fixation holes on Surface B of the universal joint with that of the hoop bracket, and insert and tighten screws to fix the device on the installation rail.

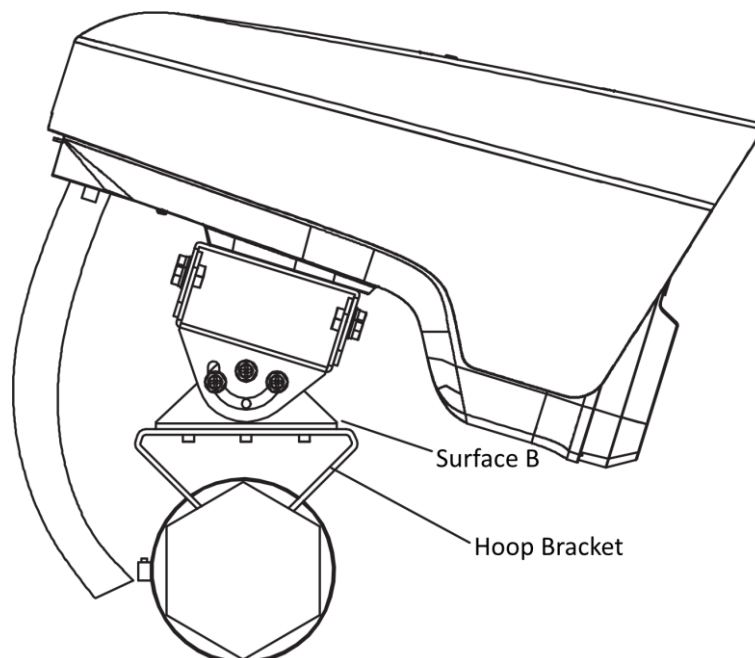


Figure 2-4 Fix Device on Rail

2.4 Power on

The cables should be well laid out and connected for normal device usage. Power on the device after the device is installed correctly.

Note

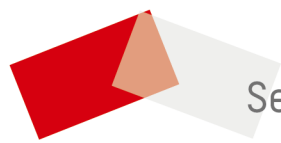
If the device fails to be powered on normally, please check whether the cables are connected correctly. If the cables are connected correctly, go further to check the cable arrangement.

Chapter 3 More Information

For more information, please scan the QR code below to get the corresponding guidance.



Figure 3-1 User Manual



See Far, Go Further