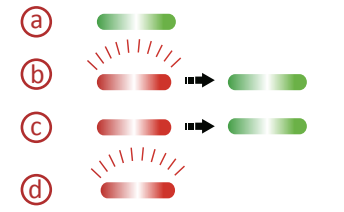
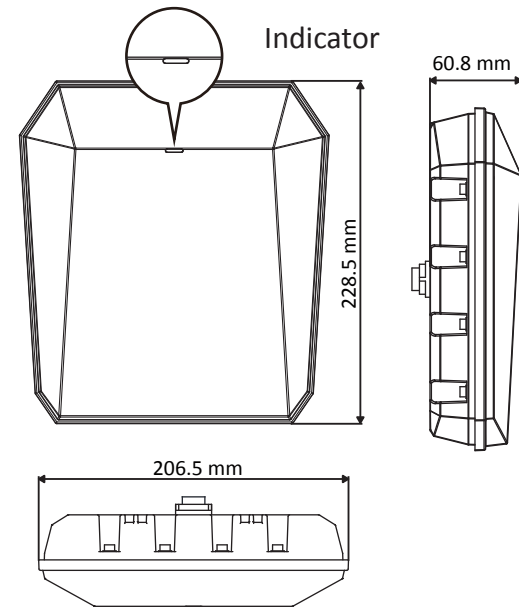
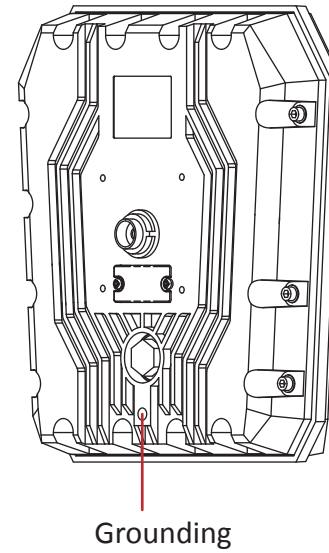


1 Appearance



- Indicator**
- a. Device Power on
Solid Green: Device is power-on.
 - b. Fault Alarm
Flashing Red: Fault Alarm Occurred,
Solid Green: Alarm Restored
 - c. Zone/Trigger Line Alarm
Solid Red: Zone/Trigger Line Alarm
Occurred
Solid Green: Alarm Restored
 - d. Restoring Factory Settings
Flashing Red and Green: Restoring
Factory Settings Succeeded

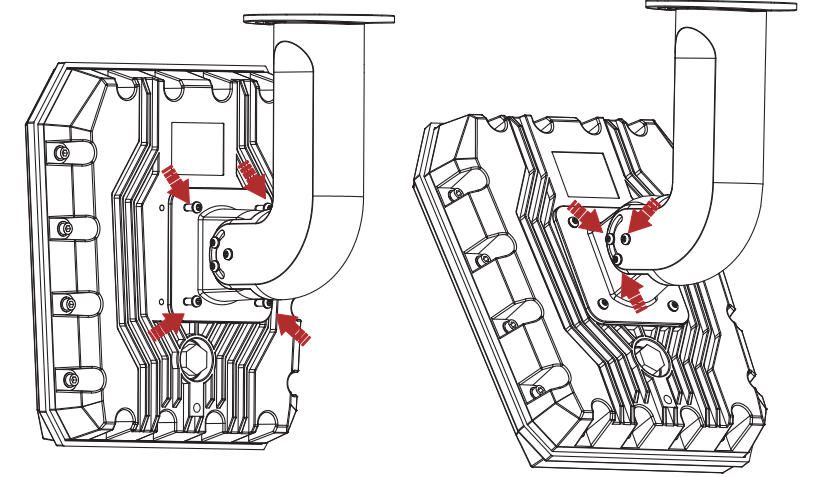


3 Installation

Screw: SC-PSFM4x10-SUS-GB9074.8

Notes:

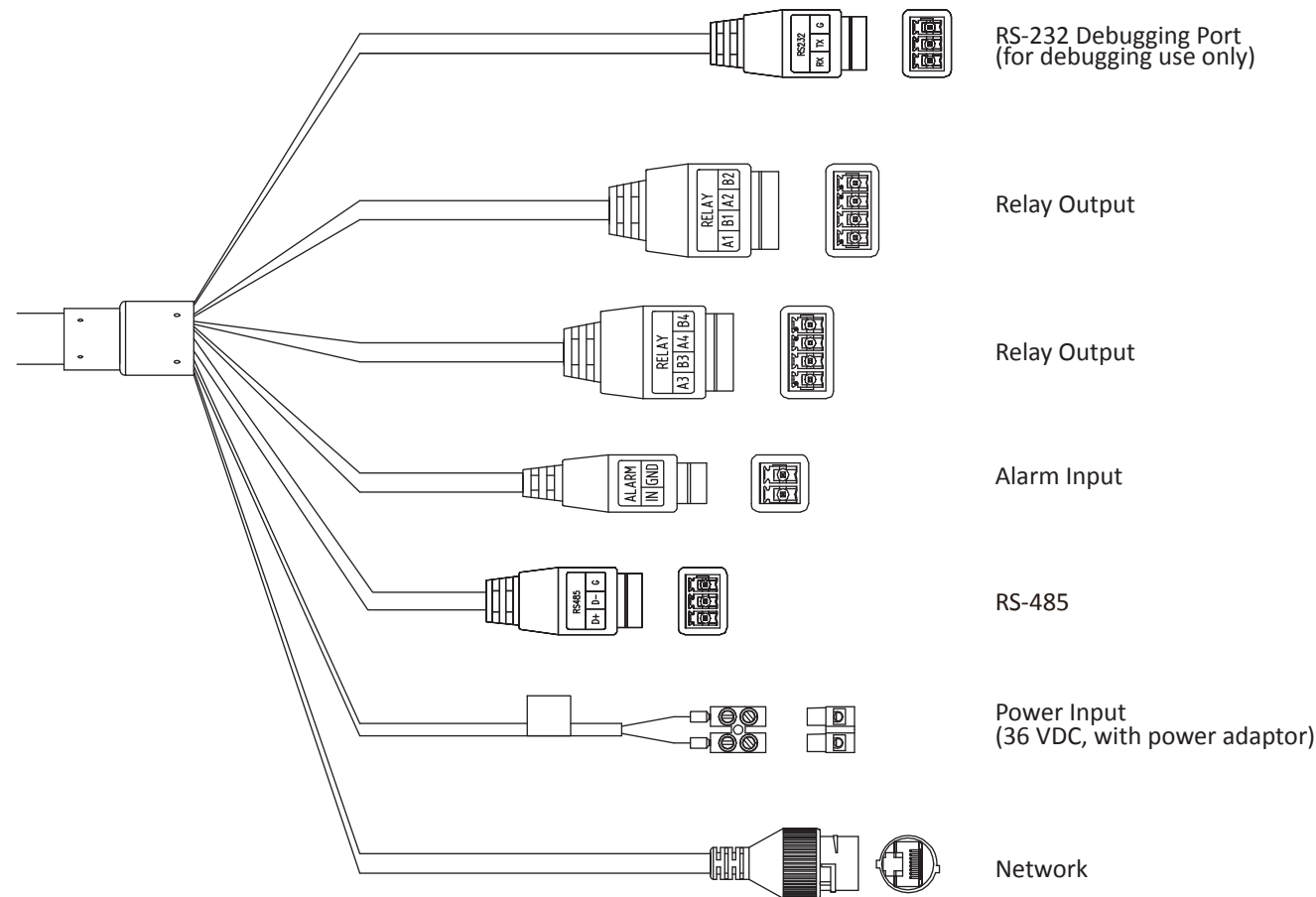
1. If using latitude and longitude/GPS to calibrate, you should measure the latitude and longitude and orientation angle of the radar at the time of installation.
2. When measuring the direction of the radar, the deviation angle of the radar direction should be measured with 0° due north as the reference.



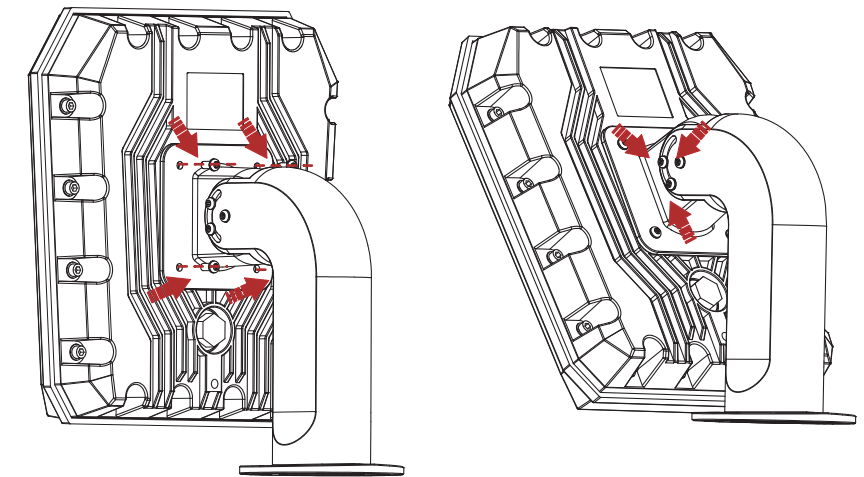
Ceiling Mounting

- a. Use 4 screws to secure the bracket on the device.
- b. Loosen the screws on each side on the bracket.
- c. Adjust the device's pitch angle and secure the screws back.

2 Wiring



Note: After installation and wiring, all interfaces need to be wrapped with waterproof tape.



Pole Mounting

- a. Use 4 screws to secure the bracket on the device.
- b. Loosen the screws on each side on the bracket.
- c. Adjust the device's pitch angle and secure the screws back.

Installation Notes

1. Install the device according to the instructions in Quick Start Guide.
2. To prevent injury, this device must be securely attached to the installation surface in accordance with the installation instructions.
3. CAUTION: If the bracket is designed for a specific device model of our company, use the bracket with the corresponding device only. Use with other devices may result in instability and cause injury.

